

## RUNA – 104º cia - FACT SHEET

### Previous facts

RUNA is a contemporary street piece of circus to be performed in unconventional spaces (factories, unused spaces, hangars, etc) and theater rooms.

It is recommended for people over 12. If younger children come to the show, parents or legal guardians should sit with them.

The best moment for the performance is at sunset if it's done in the street or unconventional places.

During the show somebody from the audience must read a text. It is required that the organizers find a person of confidence to read the text. She must be a woman and it's important that she's onstage 30 minutes before the beginning of the show so that she can agree some details with the circus actor.

### Street and unconventional spaces

**Dimensions:** The urban space dimensions must be 10m x 10m. The company needs a stage of 8m x 8m.

**Type of floor:** Flat with no slopes. If there is gravel or the ground is irregular it would be necessary to place a low platform 20cm over the floor of at least 9m x 9m. It must be provided by the organizers.

**Timetable:** In summer time after 8pm and no later than 10pm. In winter time after 6pm and no later than 9pm.

**Staging and sound system installation:** 3 hours.

**Dismantling time:** 1 hour (a person from the organizers is required to help with it)

**Sound system:** - Two speakers behind the stage 1000w minimum.

- One extra speaker with an independent outlet. It must weigh 25kg maximum. It shouldn't be too small. A cable of 25 metres length minimum is required for this speaker. It will be elevated 4 metres high as shown in the picture.
- 2 Di. 2 wireless microphones
- One microphone footer.



**Lights:**

- Two front towers 4-5 metres tall.
- 6 pc (3 for each tower, to create white general light)
- 2 pairs on a base.

**Others:** Bottles of water, brooms and dustpans.

**Theater room**

**Space dimensions:** At least 8m x 8m. 6 metres high minimum are required (the piece can be adapted to lower heights) It should be arranged with the company.

**Type of floor:** Flat with no slopes.

**Staging and sound system installation:** 3 hours.

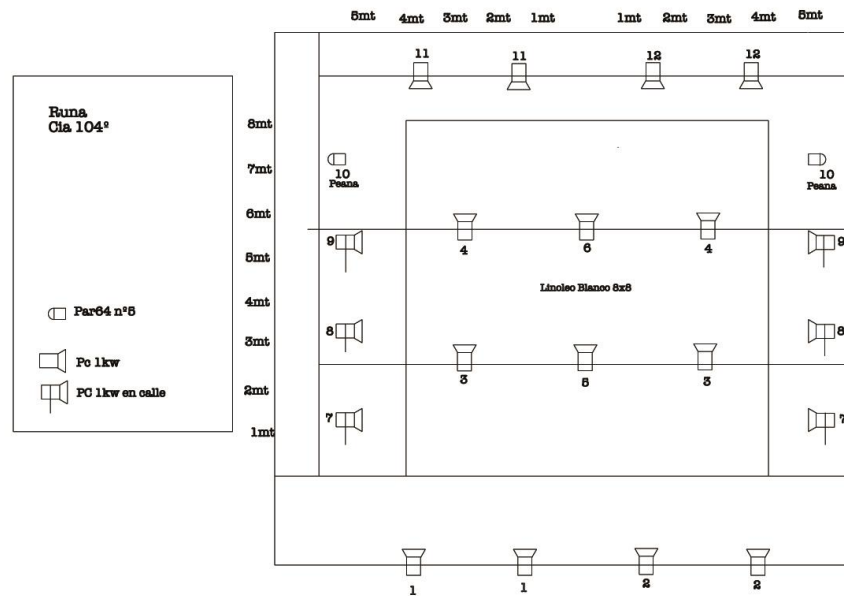
**Dismantling time:** 1 hour (a person from the organizers is required to help with it)

**Sound system:** - Two speakers behind the stage 1000w minimum.

- One extra speaker with an independent outlet. It must weigh 25kg maximum. It shouldn't be too small. A cable of 25 metres length minimum is required for this speaker. It will be elevated 4 metres high as shown in picture.
- 2 Di. 2 wireless microphones
- One microphone footer.



## Lights:



**Others:** Bottles of water, brooms and dustpans.

## CONTACT

**Amer Kabbani Fernandez**

**Telf: + 34 666720329**

**104cia@gmail.com**